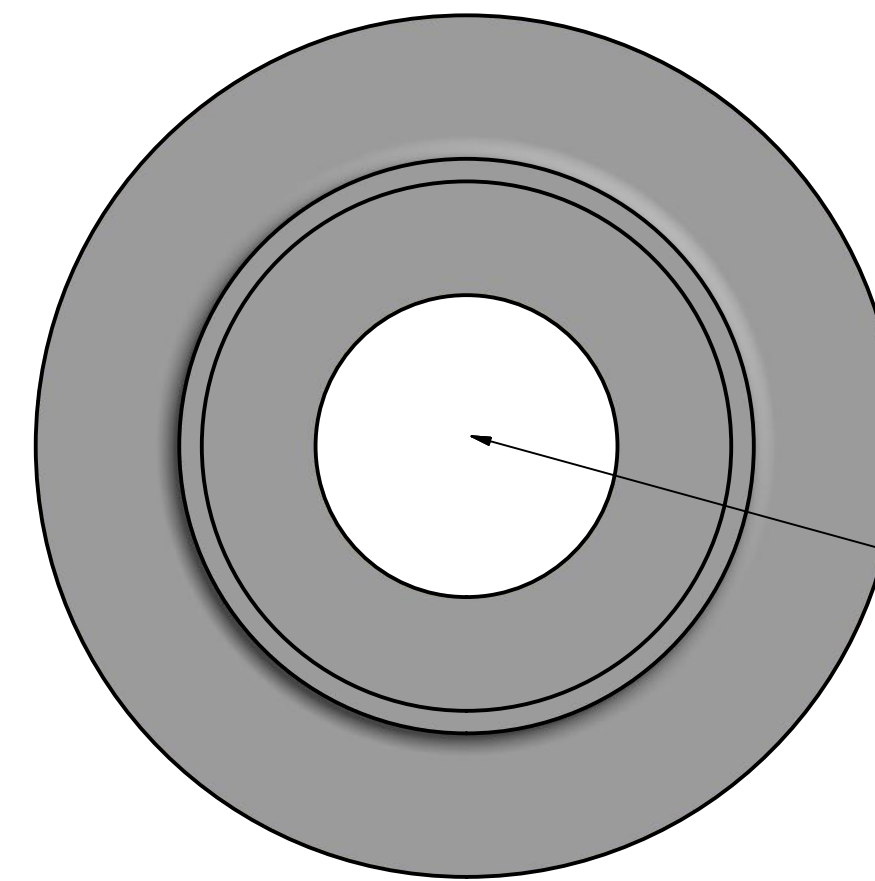


TOP VIEW



CABLE ACCESS HOLE

4 HOLES DRILLED AND TAPPED M10

ACCEPTED BY _____

DATE ACCEPTED _____

GENERAL NOTES:
ALL DIMENSIONS IN MILLIMETERS
ALL BURRS AND SHARP EDGES TO BE REMOVED

BEI LIGHTING
WYNDHAM CLOSE
BRACKLA INDUSTRIAL ESTATE
BRIDGEND CF31 2AN
TEL: 01656 645414
FAX: 01656 669231
EMAIL: sales@beilighting.com
WEB: www.beilighting.com

BEI | lighting
lighting from the ground up

| | |
|----------------------|------------|
| DRAWN Neil Carter | 17/06/2016 |
| CHECKED | |
| QA | |
| MFG | |
| APPROVED | |
| SCALE | 0.8 |

| | | |
|--|--------------------------------|-----|
| ANY BESPOKE BRACKETS ARE MADE TO ORDER AND AS SUCH ARE NON RETURNABLE | | |
| TITLE 114MM - 76MM SPIGOT ADAPTOR TO SUIT 114MM COLUMN SHAFTS WITH INTEGRAL 101MM REDUCER AND REDUCE DOWN TO 76MM | | |
| SIZE D | DWG NO 114mm - 76mm Adaptor | REV |
| SHEET 1 OF 1 | | |